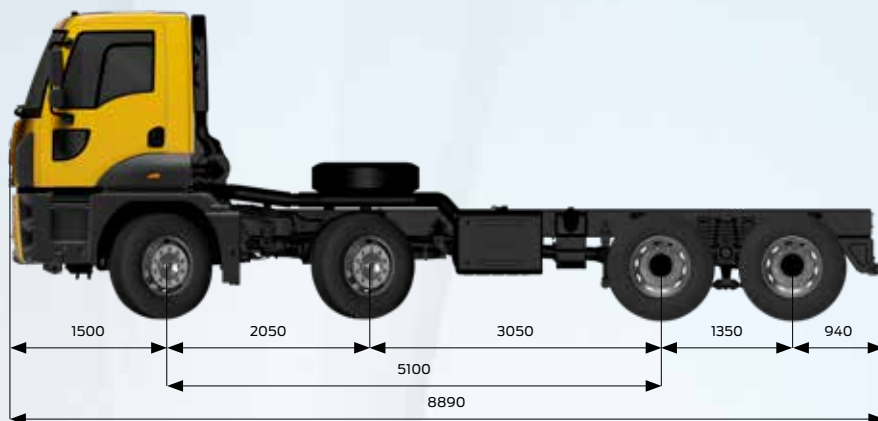


# FORD TRUCKS 4142D EURO6



## Basic Features

Vehicle Type	Tipper
Axle	8x4
Emission	Euro 6
Cabin Type	Day Cab
Wheelbase (mm)	5100

## Engine

Type	Ecotorq 12,7 litre
Displacement (cc)	12740
Diameter x Stroke	130 mm x 160 mm
Power	420 PS (308,9 kW) / 1800 rpm
Torque	2150 Nm / 1000-1300 rpm
Compression Ratio	17 +/- 0,5 : 1
Oil Filling Volume	50 L
Coolant Volume	37 L (57 L with Intarder)

## Transmission

Clutch	430 mm Single Disc
Manuel Transmission / Ratios (1. gear - 16. gear)	ZF 16S 2230 (13,805-0,836)
Automated Transmission / Ratios (1. gear - 12. gear)	ZF 12 TX 2210 (16,688-1)

## Steering

Power assisted single circuit

## Chassis

Chassis Thickness	10 mm with Reinforcement
Chassis Strength	500 MPa
Suspension (Front / Rear)	90 mm Parabolic Leaf Springs / 100 mm Multileaf Tandem Suspension
Axle	Hub Reduction
Axle Ratio (Manual / Automatic)	4,08 / 3,57
Tyres	315/80 R 22,5
Wheel Rim	22,5 x 9 Steel

## Braking System

Brakes (Ø mm x mm Length)	410 x 200, Z-Cam Brake System
Braking System	Dual Brake Circuit - Air Processing Unit with Integrated Oil Separator and Heater
Engine Brake Power	max. 340 kW (Engine Level)
Intarder Power	max. 600 kW / Continuous 160 kW

## Electrical System

Battery	24V, 2 x 12V 150 Ah
Alternator / Starter Motor	130 A / 6,5 kW

## Tanks

Fuel Tank	315 L Steel
SCR Tank	55 L

## Dimensions (mm)

Front Overhang	1500
Wheelbase	5100
Overall Length	8890
Distance Between 1 <sup>st</sup> and 2 <sup>nd</sup> Wheel Centers	2050
Distance Between 2 <sup>nd</sup> and 3 <sup>th</sup> Wheel Centers	3050
Distance Between 3 <sup>th</sup> and 4 <sup>th</sup> Wheel Centers	1350
Overall Cab Length	1820
Total Vehicle Height	3245
Overall Vehicle Width (Excluding Mirrors)	2540
Chassis Width	770
Rear Overhang	940
Useful Chassis Length	6490
Chassis Height - Front	225
Chassis Height - Rear	285
Ground Clearance - Front	547
Ground Clearance - Rear	305
Turning Radius	10640

Weights (kg)	1. Axle	2. Axle	3. Axle	4. Axle	Total
Technically Permissible Weights	7500	7500	13400	13400	39000
Kerb Weight	3751	3710	2061	2060	11582
Payload	3749	3790	11339	11340	27418
GVM (Legal)	7500	7500	9500	9500	32000

## STANDARD EQUIPMENT

- Air conditioner
- Radio/CD Player
- Transmission Offset (single gear) PTO without Flange & Interior Control Unit
- Cruise Control
- Drum Brake
- Engine Brake
- Electrically Operated Windows
- Electrically Operated and Heated Side Mirrors
- Electrically Operated Headlamp Leveling
- Rake and Reach Adjustable Steering Column
- Heated and Air Suspended Driver Seat
- Switchable Air Compressor for Improved Fuel Economy
- Lumbar Support
- Front Vehicle Antiroll Bar
- Anti-Lock Brake System (ABS)
- Brake Lining Wear Indicator
- Immobilizer
- Single Key with Remote Control and Central Locking
- Home Safe Light
- Approach Light
- Differential Lock
- Digital Tachograph

## OPTIONAL EQUIPMENT

- Automated Transmission (with Normal Mode, Off-Road Mode, Rocking Mode)
- Engine Driven PTO & Interior Control Unit
- Intarder
- ADR Pack
- Low Roof Sleeper Cab with Single Bed
- Wet Type Cab Heater \*
- Cold Pack with Wet Type Cab Heater \*
- Cold Pack with Dry & Wet Type Cab Heater \*\*
- Power Cab Tilting
- Rear Window \*\*\*
- 4750 mm Wheelbase Version
- Automatic Traction Control (ATC)
- Double Passenger Seat \*\*\*
- Extra Heavy Duty Pack
- 3,5T Towing Capability
- 10T Towing Capability
- 27T Towing Capability
- Manually Operated Sunroof

\* Not Available with 4750 mm Wheelbase Version.

\*\* Only Available with Low Roof Sleeper Cab Version.

\*\*\* Not Available with Low Roof Sleeper Cab Version.